

4

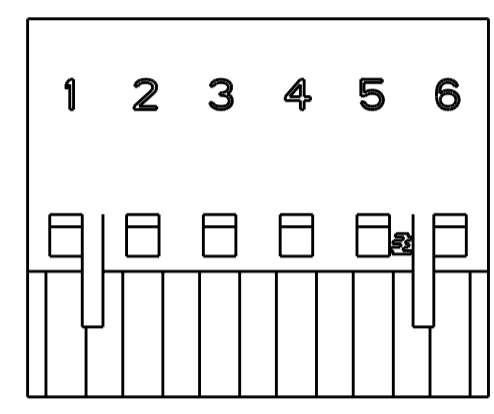
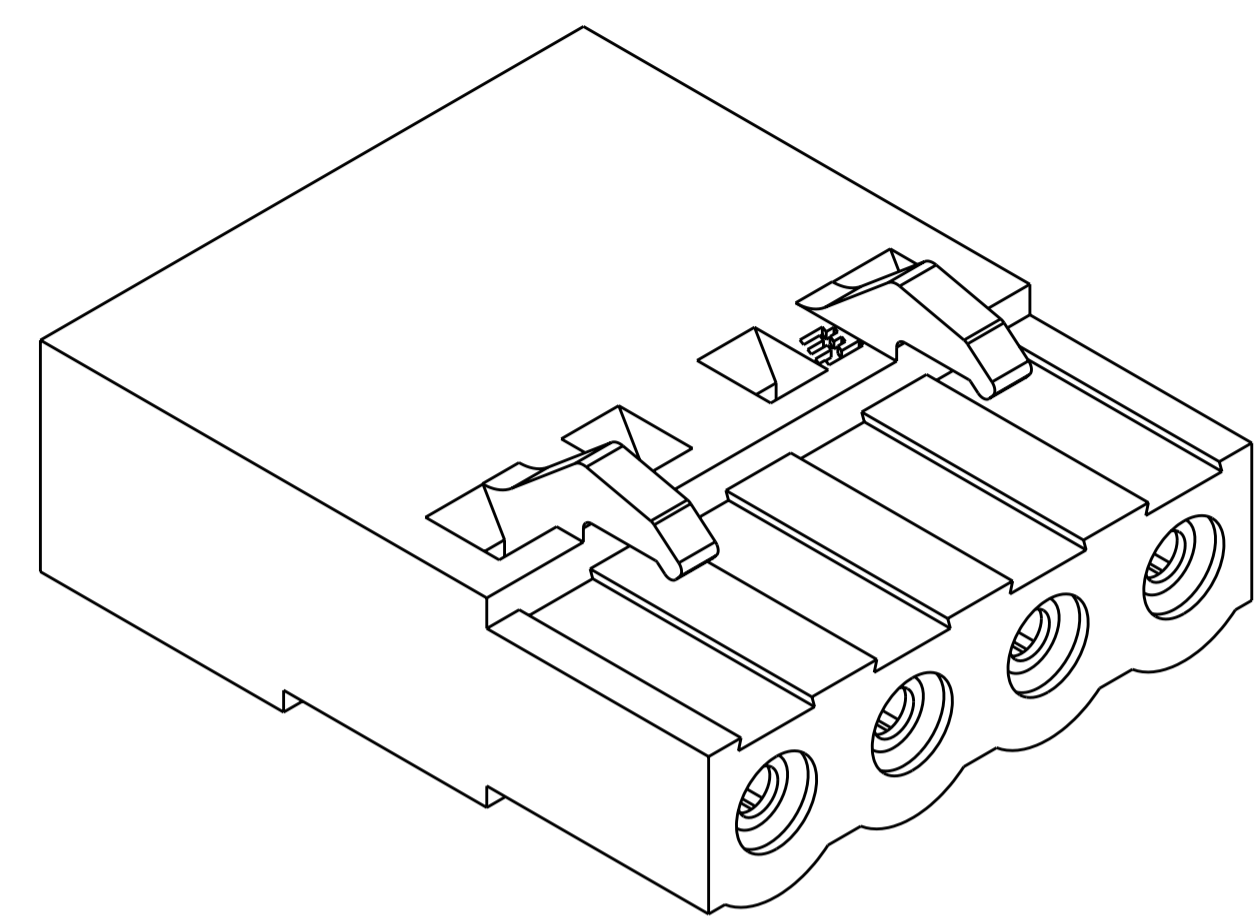
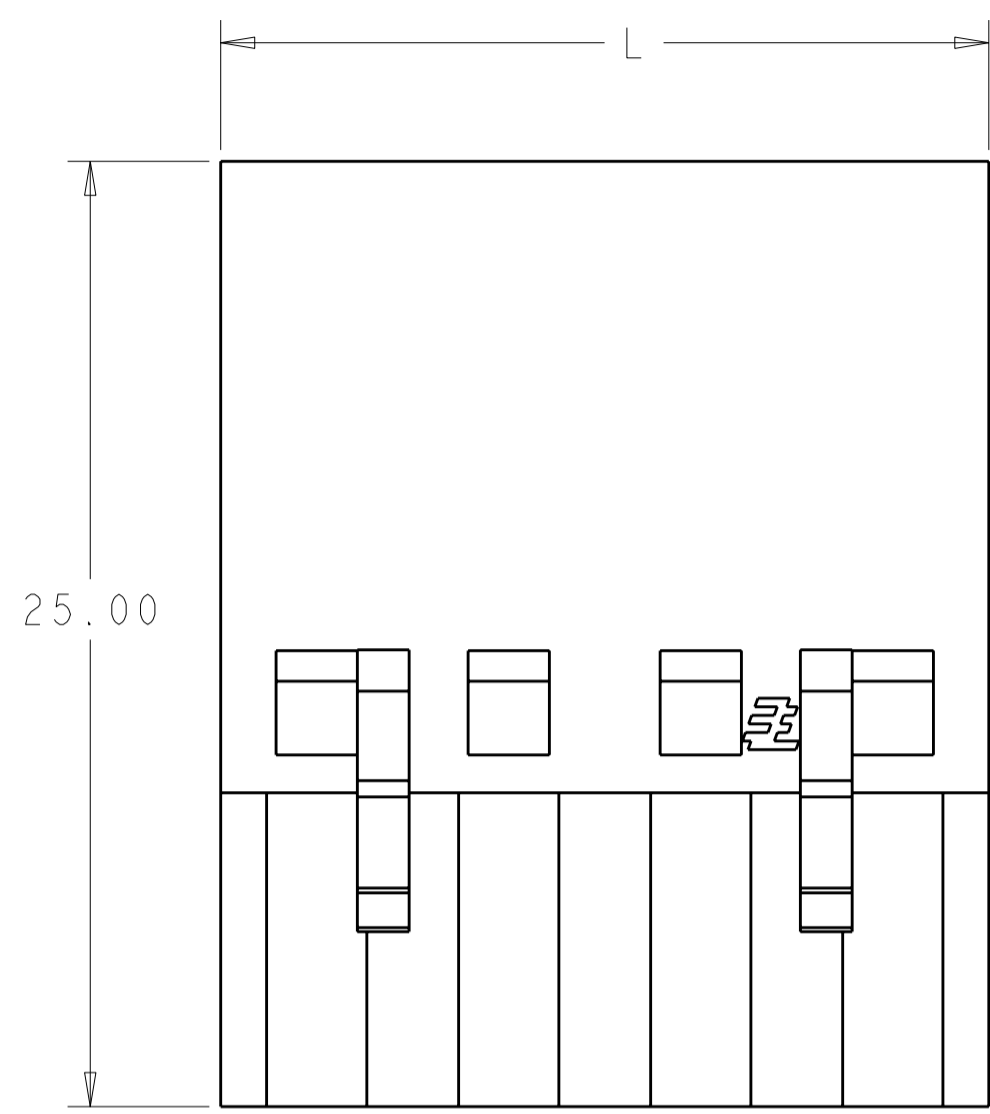
3

2

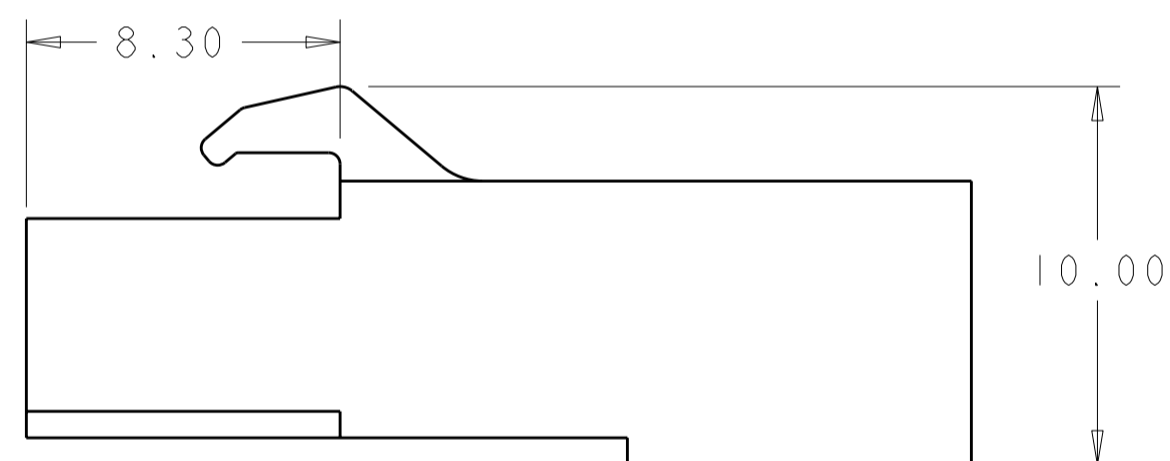
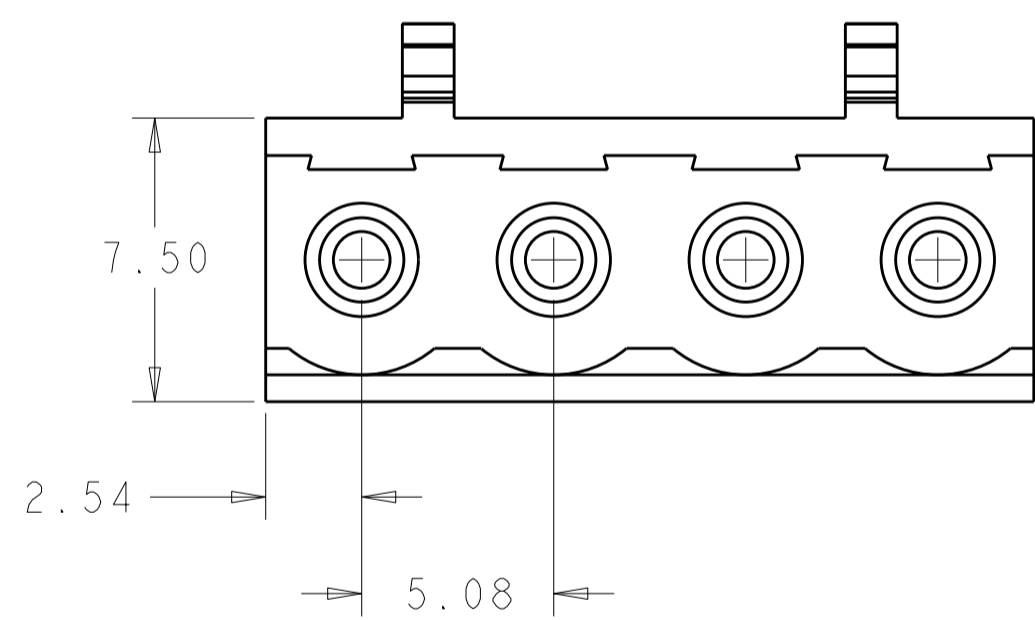
1

THIS DRAWING IS UNPUBLISHED. RELEASED FOR PUBLICATION 20  
 © COPYRIGHT 20 BY TYCO ELECTRONICS CORPORATION. ALL RIGHTS RESERVED.

LOC	DIST	REVISIONS			
P	LTR	DESCRIPTION	DATE	DWN	APVD
FT	0	A3	REVISED PER ECO-09-016004	09JUL2009	HMR CR



DETAIL C  $\triangle$ 4



THIS PRODUCT HAS NOT COMPLETED VALIDATION TESTING

$\triangle$ 4 $\triangle$ 5	GREEN	30.48	6	2-1986160-6
	GRAY	30.48	6	1-1986160-6
	GRAY	25.40	5	1-1986160-5
	GRAY	20.32	4	1-1986160-4
	GRAY	15.24	3	1-1986160-3
	GRAY	10.16	2	1-1986160-2
	GREEN	30.48	6	1986160-6
	GREEN	25.40	5	1986160-5
	GREEN	20.32	4	1986160-4
	GREEN	15.24	3	1986160-3
	GREEN	10.16	2	1986160-2
	HOUSING COLOR	L	NO OF POSN	PART NUMBER

- MATERIAL:  
HOUSING - POLYESTER, UL 94V-0 RATED, COLOR: SEE TABLE.
- RECOMMENDED CRIMP STYLE CONTACTS, (965899 AND 965901) TO BE USED WITH THIS HOUSING.
- CONNECTOR MATES WITH 5.08mm OPEN AND CLOSED END INDUSTRY STANDARD HEADERS.

- $\triangle$ 4 PART TO BE MARKED WITH BLACK PERMANENT MARKING SEE DETAIL C, LETTER TO BE 3.8 MM IN HEIGHT
- $\triangle$ 5 PRELIMINARY

THIS DRAWING IS A CONTROLLED DOCUMENT FOR TYCO ELECTRONICS CORPORATION IT IS SUBJECT TO CHANGE AND THE CONTROLLING ENGINEERING ORGANIZATION SHOULD BE CONTACTED FOR THE LATEST REVISION.		DWN S. WELDON 19MAR2007	Tyco Electronics Harrisburg, PA 17105-3608	
DIMENSIONS: mm		CHK C. RICHARD 19MAR2007	NAME PLUG HOUSING, TERMINAL BLOCK, CRIMP STYLE, 5.08mm PITCH	
TOLERANCES UNLESS OTHERWISE SPECIFIED: 0 PLC ± 1 PLC ±0.5 2 PLC ±0.13 3 PLC ±0.000 4 PLC ±0.000 ANGLES ± FINISH		APVD C. RICHARD 19MAR2007	RESTRICTED TO	
MATERIAL		PRODUCT SPEC	SIZE A200779	DRAWING NO C-1986160
		APPLICATION SPEC	SCALE 5:1	SHEET 1 OF 1
		WEIGHT	REV A3	
		CUSTOMER DRAWING		